



6.0 MPa HIGH PRESSURE RECIPROCATING COMPRESSOR

# HS-Series



### The HS-series

introduces a new high pressure series of compressors focusing on environmental friendliness by using natural refrigerants and saving of energy and CO<sub>2</sub> emission.

The machine can be used to compress the gas up to 60 barG.

The HS series compressors can be used in CO<sub>2</sub> refrigeration systems and NH<sub>3</sub> heat pumps.

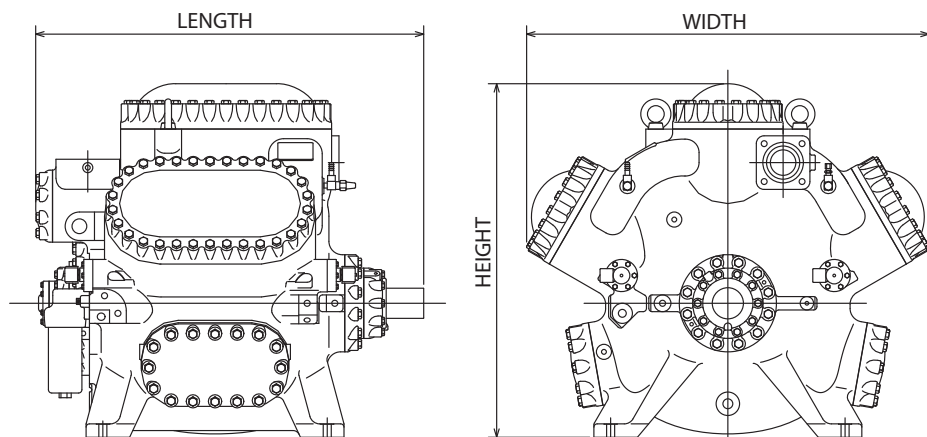
When using the HS series compressor in CO<sub>2</sub> refrigeration, this compressor can also be used for defrosting of the system up to 20°C, in addition to the refrigeration duty.

The HS series compressor heat pumps are directly contributing to significant energy savings.

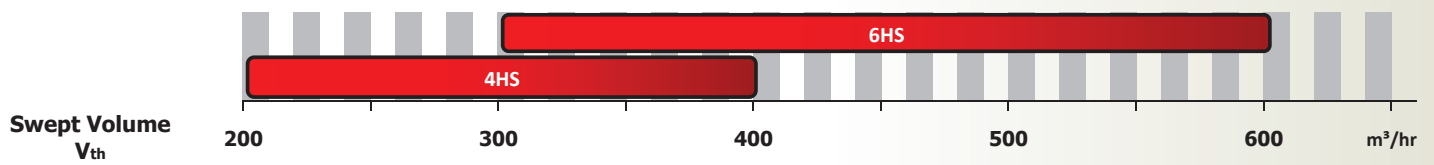
The heat pump can produce hot water up to 95°C with important reduction of fossil fuel consumption such as gas and oil.

The HS series can be used in a wide range of pressures and speeds.

MAYEKAWA HS series compressors directly contribute in achieving your plant energy reduction plan.



UNIT TYPE	WEIGHT (kg)	WIDTH (mm)	LENGTH (mm)	HEIGHT (mm)
4HS	1600	1100	1200	1100
6HS	1800	1300	1200	1100



ITEM	LIMIT VALUE	REMARKS
Maximum discharge pressure [barG]	60	
Maximum suction pressure [barG]	30 <sup>1)</sup>	
Minimum suction pressure [barG]	CO <sub>2</sub> ; 4.2 NH <sub>3</sub> ; <sup>2)</sup>	
Maximum differential pressure [barG]	40	Pd-Ps
Design pressure [barG]	66 / 35	Low/High
Maximum compression ratio [-]	NH <sub>3</sub> : ≤ 5.0	Limited on discharge temperature
Maximum discharge temperature [°C]	140	
Minimum suction temperature [°C]	-60	
Maximum oil supply temperature [°C]	70	Oil cooler outlet
Suction superheat [K]	> 0, ≤ 15	
Minimum/maximum cooling water inlet temperature [°C]	15 / 50	Water temperature for head covers ≤ 50
Minimum/maximum rotation speed (rpm)	750 / 1500	Direct drive only

1) During start-up condition, maximum should be kept less than 3.0MPa.

2) Now checking.

### WORLDWIDE

- 47 countries / 99 offices
- 11 production plants



## MAYEKAWA EMEA Organization

### ABU DHABI

Ali & Sons Business Center Office No. 201  
Ali Khalfan Rashed Al Mutawa Al Dhahiri Bldg.  
Plot no 29, Al Ain Road, Umm Al Nar  
Tel. +971 2 5102151  
Fax +971 2 5102571

### DENMARK

Lindholm Havnevej 29, 5800 Nyborg  
Tel. +45 31929000  
Email: contact@mayekawa.dk

### DUBAI

P.O. Box 61349, W-HOUSE  
No. RA-08-UC05  
Jebel Ali Free Zone Dubai, UAE  
Tel. +971 4 8886363  
Fax +971 4 8886373

### EGYPT

New Cairo, 5th Settlement  
North 90th St.  
The 47th Building  
Tel. +20 22 5062925  
Fax +20 22 5032901

### FRANCE (representative agent) Siège social

8, rue des Fontenelles  
44140 Le Bignon  
Tel. +33 1 30 582600  
Fax +33 1 30 581937  
<http://www.mayekawa.eu/fr>  
E-mail: mayekawa.france@mayekawa.eu

### South East Branch Office Refrigerant Division

Rue François Coli - Bâtiment H  
33290 Blanquefort  
Tel. +33 1 30 582600

### West Branch Office Food Processing Division

20, Rue Ampère  
22590 Pordic  
Tel. +33 1 30589795  
Fax +33 1 30581937

### GERMANY Mayekawa Deutschland GmbH

Zum Buckesch 7a  
48336 Sassenberg-Füchtorf  
Tel. +49 (0) 5426 2989920

### Vertrieb BRD/Österreich

Tel. +49 151 42628055  
<http://www.mayekawa.de>  
Email: info@mayekawa.de

### HUNGARY

### Mayekawa Hungary Engineering Kft

Köbányai út 10/A  
2049 Diósd,  
Tel. +36 23 545712  
Fax +36 23 545715  
<http://www.mayekawa.eu>  
E-mail: hungary@mayekawa.eu

### ITALY

**Milan Office**  
Via Riccardo Lombardi 19/12  
20153 Milano  
Tel. +39 2 48929218  
Fax +39 2 4531728

### Bologna Office

Via Pradazzo 7 40012  
Calerara di Reno  
Tel. +39 51 726364  
Fax +39 51 726804

### MOROCCO

6, Allée des Cyprès  
20250 Casablanca  
Tel. +212 600 041241

### POLAND

ul. Druskiennicka 8/10  
60-476 Poznan  
Tel. +48 61 8420738  
Fax +48 61 8485837

### SOUTH AFRICA

West End  
Unit 3 Prime Park  
Printers Way  
Montague Gardens 7441  
Tel. +27 21 5511434  
Fax +27 86 5463618

### SPAIN

Calle Montevideo 5, Nave 13 Pol.  
Industrial Camporroso 28806  
Alcala de Henares, Madrid Tel.  
+34 91 8300392  
Fax +34 91 8300397  
<http://www.mayekawa.es>  
E-mail: mayekawa@mayekawa.es

### SWITZERLAND

Rosenbergstrasse 31  
6300 Zug  
Tel. +41 41 7268626  
Fax +41 41 7268620  
<http://www.mayekawa.ch>  
E-mail: info@mayekawa.ch

### TURKEY

Dünya Ticaret Merkezi  
A/2 Blok Kat: 10 No. 325  
Yeşilköy  
Istanbul  
Tel. +90 212 46536 31- 34  
Fax +90 212 4653635

### UKRAINE

Golosiiivska Street 17  
Office 110  
03039 Kiev  
Tel. +38 (044) 251-46-62

### UNITED KINGDOM

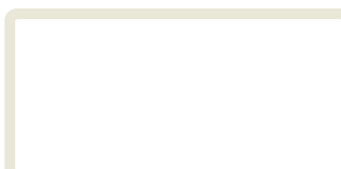
16 Oakhurst Gardens  
DA7 5JP Bexleyheath, Kent  
Tel. +44 1322 433558  
Fax +44 1322 433164

### Japan Head Office

3-14-15 Botan Koto-ku  
Tokyo 135 8482, JAPAN  
Tel. 81 3 3642 8181  
Fax 81 3 3643 7094  
E-mail e-public@mayekawa.co.jp

### MAYEKAWA Europe nv/sa

Leuvensesteenweg 605  
1930 Zaventem - Belgium  
Tel. +32 2 7579075  
Fax +32 2 7579023  
<http://www.mayekawa.eu>  
E-mail info@mayekawa.eu



Global web site <http://www.mayekawa.com/>