

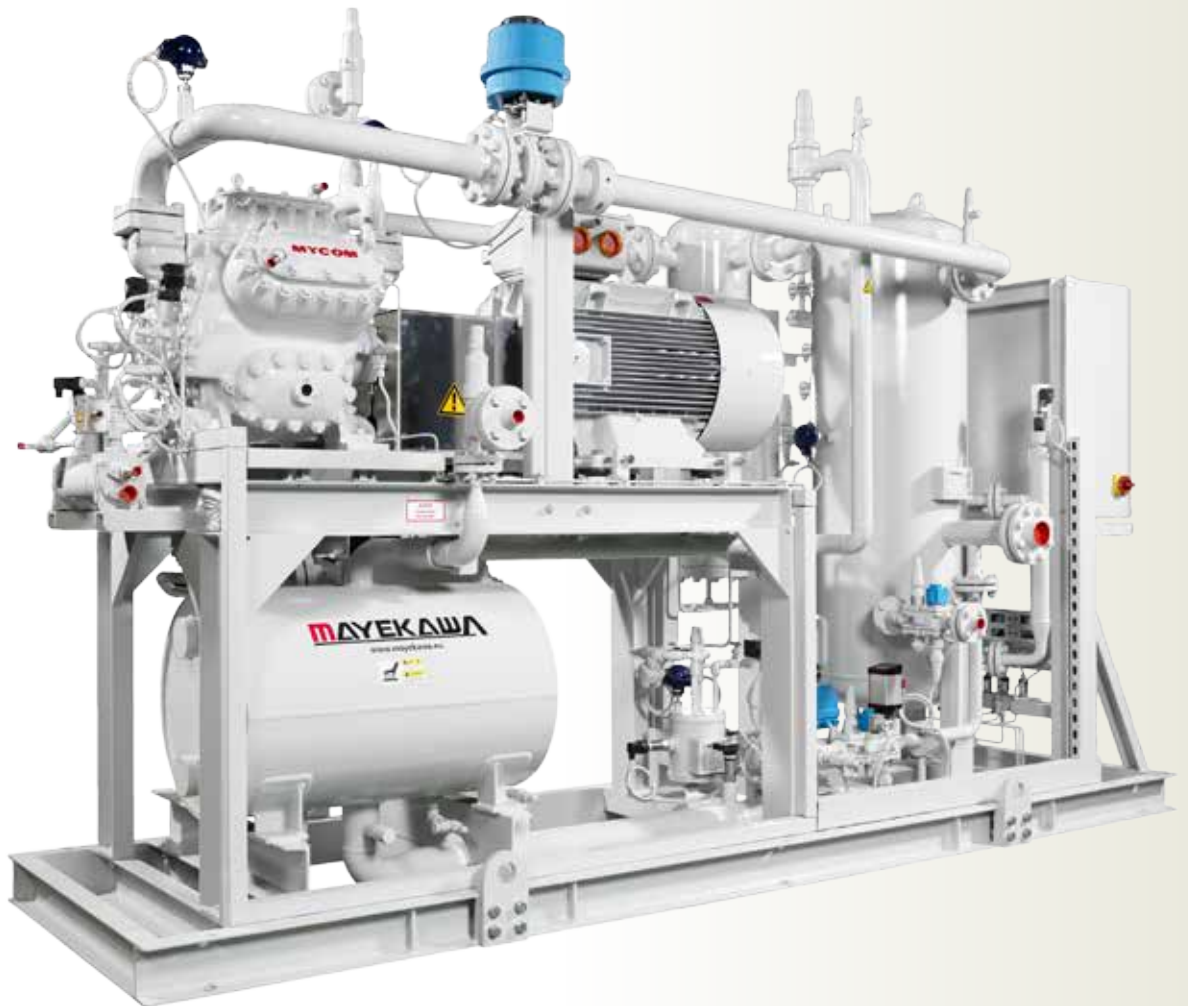
MAYEKAWA

MYCOM



MAYEKAWA NEW STANDARD HIGH STAGE HEAT PUMP

PLUS **HEAT** 改X



The MAYEKAWA **PLUS+HEAT_χ** (KAI)

products belongs to the MAYEKAWA 'NATURAL 5' program, and introduces herewith a new generation of energy saving equipment, using the MAYEKAWA N6HK high pressure compressor (50 bar) with natural refrigerant NH₃ (GWP=0).

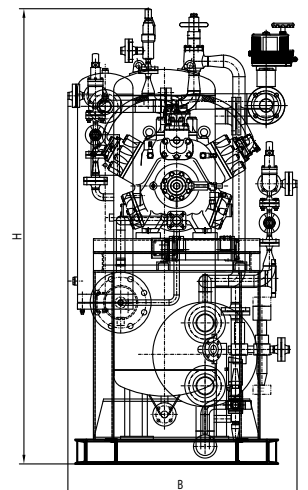
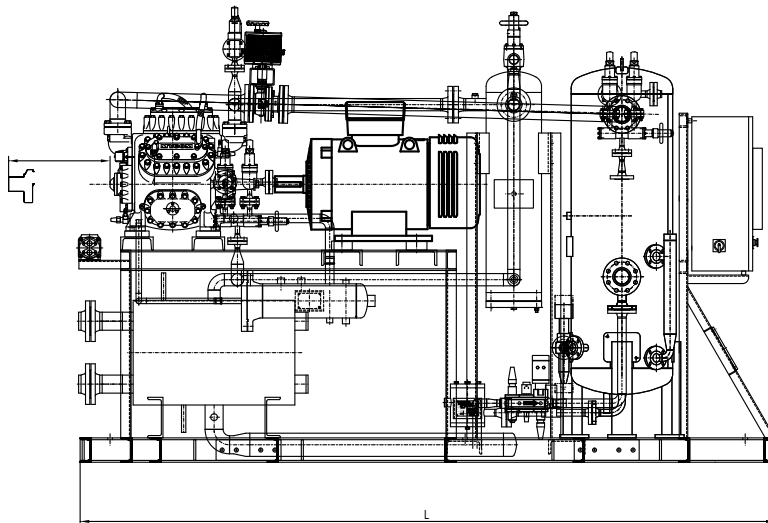
MAYEKAWA Plus+HEAT_χ is using condenser heat from the refrigeration plant.

MAYEKAWA Plus+HEAT_χ takes the gas from the high pressure side of the refrigeration plant at the refrigeration compressor outlet to the low pressure side of the heat pump compressor via mounting open flash tank.

It is clear that this application leads to a very important reduction on use of fossil energy: **MAYEKAWA Plus+HEAT_χ** consumes much less then when using a steam boiler, resulting in energy cost reduction, which also applies on the reduction of direct CO₂ emissions. The system has also the additional benefit of a shorter installation time as the packaged unit can easily be connected to the existing system.

Also you can select sensible heat recovery heat exchanger and/or liquid heat recovery heat exchanger as options. We can provide higher C.O.P system if you will select options.

Dimension of **PLUS+HEAT_χ**

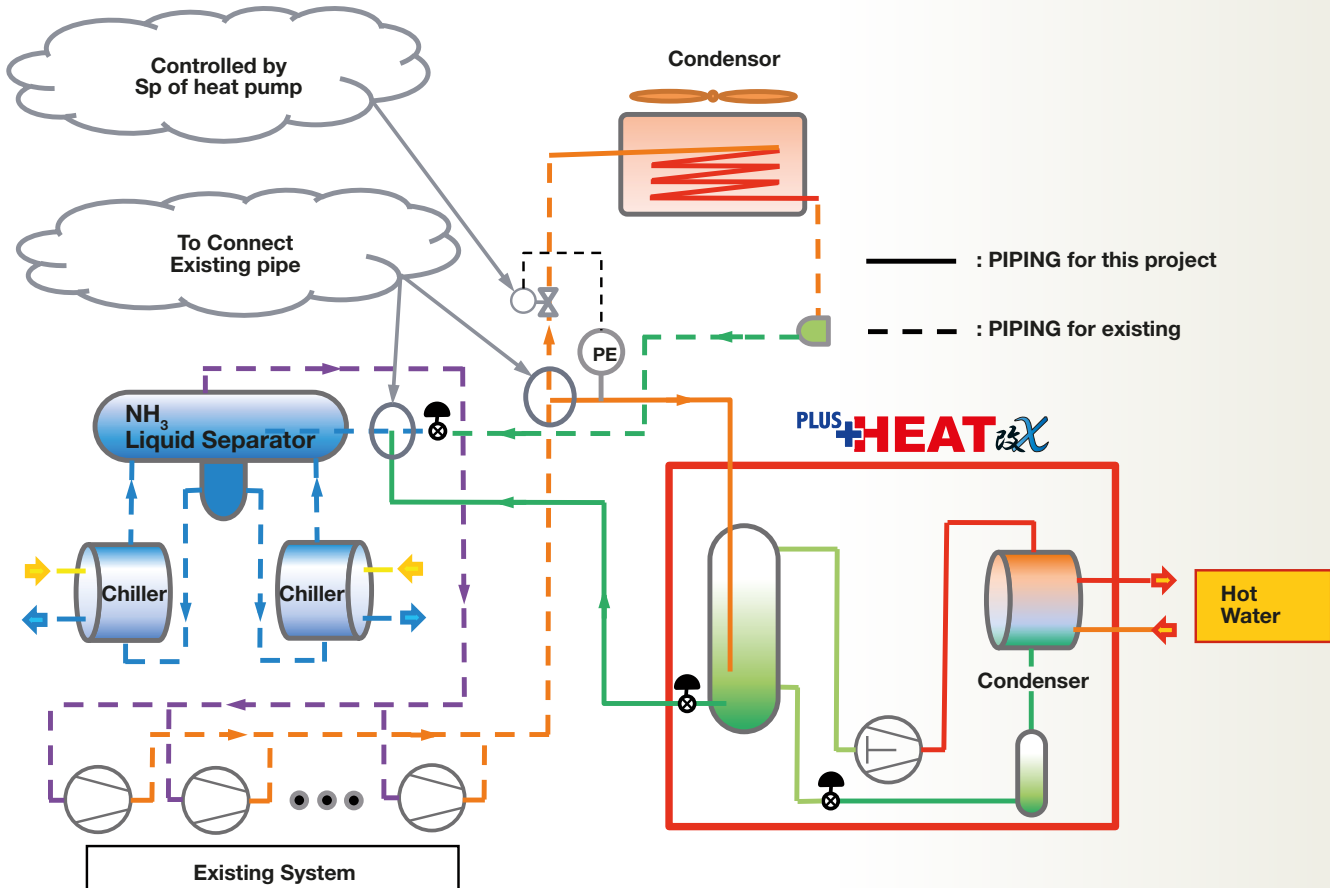


*Above drawing is subject to change without notice

Specification

Refrigerant			Ammonia (R717)					
Type			PHX-R90		PHX-R110		PHX-R132	PHX-R132H
Outlet Hot Water Temperature		°C	60	65	70	75	80	85
Condensing temperature of low stage		°C	35					40
Capacity	Heating Capacity	kW	523	510	496	480	465	523
	Absorbed Power	kW	64,1	74	83	89	99	110
	C.O.P heating	-	8,2	6,9	6,0	5,4	4,7	4,8
Design pressure (SP/DP)		barG	20/50					20/55
Power Supply			400V 3φ 50Hz / 230V 1φ 50Hz					
Type of Compressor			N6HK (Receiprocating Compressor)					
Motor size (4P IP55 IE2)		kW	90		110		132	
Starter		-	your selection					
recommendable oil		-	depending on oil of existing system - please contact us					
Condenser	Type	-	Shell & Plate type heat exchanger					
	Temperature of Hot water	°C	55/60	60/65	65/70	70/75	75/80	80/85
	Flow rate of hot water	m³/h	90,0	87,7	85,2	82,6	79,9	90,0
Dimension	Wide (B)	mm	1050					-
	Length (L)	mm	3500					-
	Height (H)	mm	2250					-
	Weight	kg	3000		3200		3300	

System reference of PLUS+HEAT_{23X}



WORLDWIDE

- 47 countries / 99 offices
- 11 production plants



MAYEKAWA EMEA Organization

ABU DHABI

Ali & Sons Business Center Office No. 201
Ali Khalfan Rashed Al Mutawa Al Dhahiri Bldg.
Plot no 29, Al Ain Road, Umm Al Nar
Tel. +971 2 5102151
Fax +971 2 5102571

DENMARK

Lindholm Havnevej 29, 5800 Nyborg
Tel. +45 31929000
Email: contact@mayekawa.dk

DUBAI

P.O. Box 61349, W-HOUSE
No. RA-08-UC05
Jebel Ali Free Zone Dubai, UAE
Tel. +971 4 8886363
Fax +971 4 8886373

EGYPT

New Cairo, 5th Settlement
North 90th St.
The 47th Building
Tel. +20 22 5062925
Fax +20 22 5032901

FRANCE (representative agent) Siège social

8, rue des Fontenelles
44140 Le Bignon
Tel. +33 1 30 582600
Fax +33 1 30 581937
<http://www.mayekawa.eu/fr>
E-mail: mayekawa.france@mayekawa.eu

South East Branch Office Refrigerant Division

Rue François Coli - Bâtiment H
33290 Blanquefort
Tel. +33 1 30 582600

West Branch Office Food Processing Division

20, Rue Ampère
22590 Pordic
Tel. +33 1 30589795
Fax +33 1 30581937

GERMANY Mayekawa Deutschland GmbH

Zum Buckesch 7a
48336 Sassenberg-Füchtorf
Tel. +49 (0) 5426 2989920

Vertrieb BRD/Österreich

Tel. +49 151 42628055
<http://www.mayekawa.de>
Email: info@mayekawa.de

HUNGARY

Mayekawa Hungary Engineering Kft

Köbányai út 10/A
2049 Diósd,
Tel. +36 23 545712
Fax +36 23 545715
<http://www.mayekawa.eu>
E-mail: hungary@mayekawa.eu

ITALY

Milan Office
Via Riccardo Lombardi 19/12
20153 Milano
Tel. +39 2 48929218
Fax +39 2 4531728

Bologna Office

Via Pradazzo 7 40012
Calerara di Reno
Tel. +39 51 726364
Fax +39 51 726804

MOROCCO

6, Allée des Cyprès
20250 Casablanca
Tel. +212 600 041241

POLAND

ul. Druskiennicka 8/10
60-476 Poznan
Tel. +48 61 8420738
Fax +48 61 8485837

SOUTH AFRICA

West End
Unit 3 Prime Park
Printers Way
Montague Gardens 7441
Tel. +27 21 5511434
Fax +27 86 5463618

SPAIN

Calle Montevideo 5, Nave 13 Pol.
Industrial Camporroso 28806
Alcala de Henares, Madrid Tel.
+34 91 8300392
Fax +34 91 8300397
<http://www.mayekawa.es>
E-mail: mayekawa@mayekawa.es

SWITZERLAND

Rosenbergstrasse 31
6300 Zug
Tel. +41 41 7268626
Fax +41 41 7268620
<http://www.mayekawa.ch>
E-mail: info@mayekawa.ch

TURKEY

Dünya Ticaret Merkezi
A/2 Blok Kat: 10 No. 325
Yeşilköy
Istanbul
Tel. +90 212 46536 31- 34
Fax +90 212 4653635

UKRAINE

Golosiiivska Street 17
Office 110
03039 Kiev
Tel. +38 (044) 251-46-62

UNITED KINGDOM

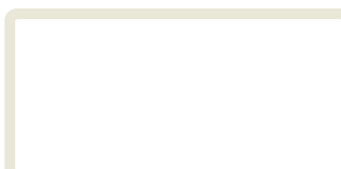
16 Oakhurst Gardens
DA7 5JP Bexleyheath, Kent
Tel. +44 1322 433558
Fax +44 1322 433164

Japan Head Office

3-14-15 Botan Koto-ku
Tokyo 135 8482, JAPAN
Tel. 81 3 3642 8181
Fax 81 3 3643 7094
E-mail e-public@mayekawa.co.jp

MAYEKAWA Europe nv/sa

Leuvensesteenweg 605
1930 Zaventem - Belgium
Tel. +32 2 7579075
Fax +32 2 7579023
<http://www.mayekawa.eu>
E-mail info@mayekawa.eu



Global web site <http://www.mayekawa.com/>