



RECIPROCATING COMPRESSOR

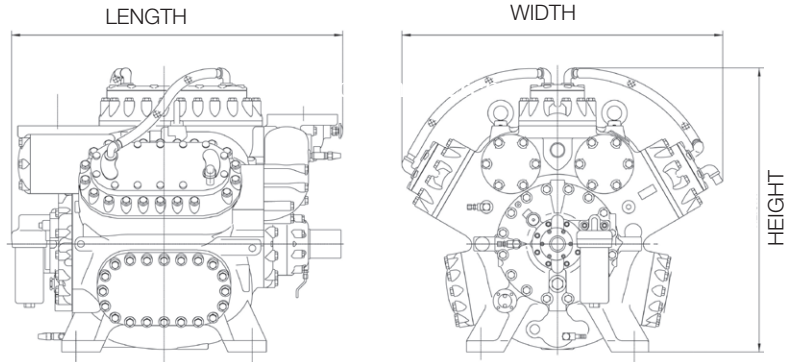
M II-Series



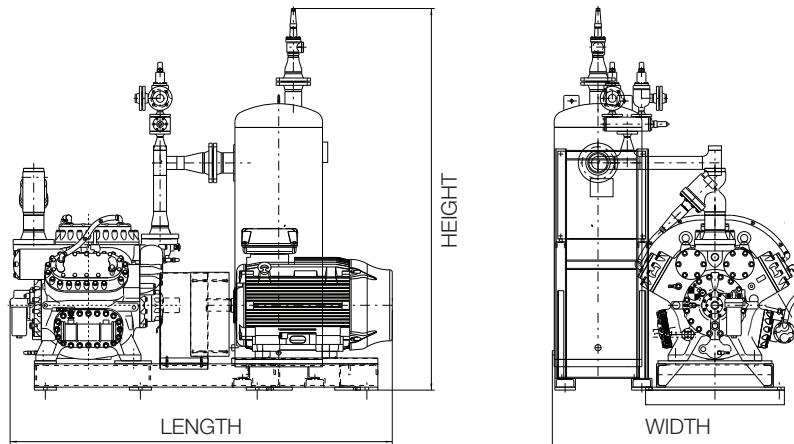
The M II-series

is a new MAYEKAWA compressor for the next generation with maximum flow of 1278 m³/h displacement. As a result of reflecting all the technologies that MAYEKAWA accumulated for the past 85 years, we achieved world-class excellent COP and compressor maintenance has become more simplified with less work. Also M II -series can work at a speed of maximum 1500 rpm with our latest technology.

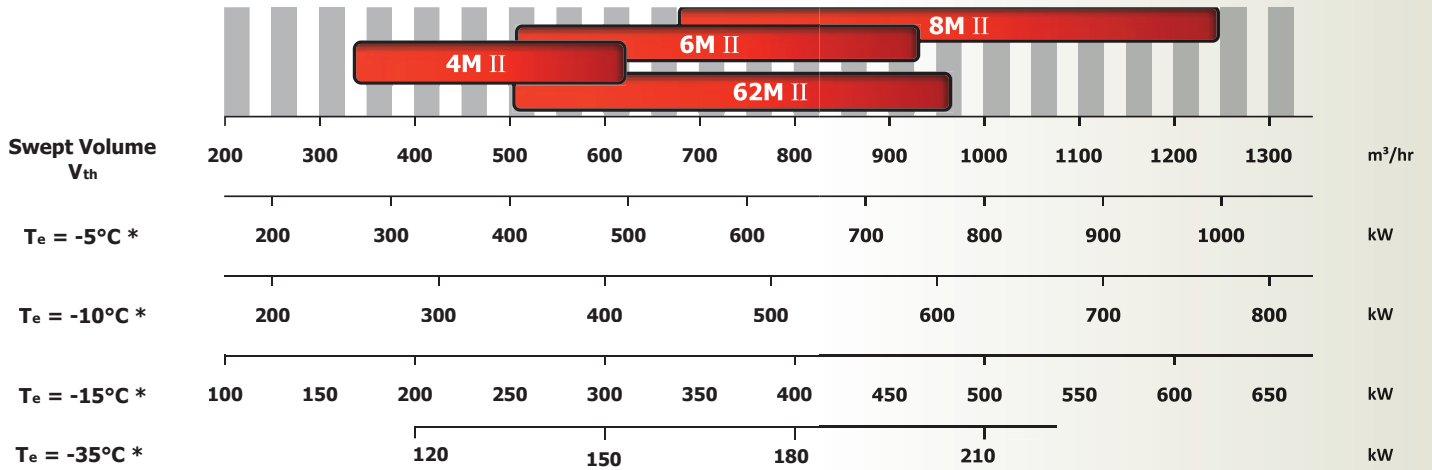
Furthermore this compressor is not only applicable for refrigerating, but also for heat pump because it can work with an operating pressure of 26 barG. It is notable that this compressor is most efficient at the temperature around -10 °C. Therefore it is suitable to use for ice production, skating rink, and cold storage warehouse.



UNIT TYPE	WEIGHT (kg)	WIDTH (mm)	LENGTH (mm)	HEIGHT (mm)
4M II	1300	1019	1211	1103
6M II	1580	1147	1247	1120
8M II	1830	1147	1247	1190
62M II	2000	1229	1713	1406



UNIT TYPE	WEIGHT (kg)	WIDTH (mm)	LENGTH (mm)	HEIGHT (mm)
N4M II-WW-UNIT	3100	1800	2500	2600
N6M II-WW-UNIT	3600	1800	2600	2650
N8M II-WW-UNIT	4600	1900	3000	2800
N62M II-WW-UNIT	4400	2200	2700	2700



* Refrigerant NH₃
T_c = 35°C

ITEM	LIMIT VALUE	REMARKS
Maximum discharge pressure [barG]	26	Booster specification < 0.6
Maximum suction pressure [BarG]	8 ¹⁾	Booster specification ≤ 0.05
Minimum suction pressure [BarG]	-0.733	
Design pressure [BarG]	30	
Maximum compression ratio [-]	NH ₃ : ≤ 7	Limited on discharge temperature
Minimum compression ratio [-]	≥ 1.5	
Maximum discharge temperature [°C]	NH ₃ : 160	
Minimum suction temperature [°C]	-30	
Maximum oil supply temperature [°C]	60	Oil cooler outlet
Suction superheat [K]	> 0, ≤ 20	
Minimum/maximum cooling water inlet temperature [°C]	15 / 30 ²⁾	Water temperature for head covers ≤ 50
Minimum/maximum rotation speed (rpm)	Minimum 800	Pd-Ps < 1.2 BarG
	Maximum 1200	15 ≤ T _e < 21 °C
	Maximum 1500	T _e < 15 °C

1) Standstill is included. Standstill of booster specification is the same as the one of standard specification.
2) Other temperatures are possible on request.

WORLDWIDE

- 47 countries / 99 offices
- 11 production plants



MAYEKAWA EMEA Organization

ABU DHABI

Ali & Sons Business Center Office No. 201
Ali Khalfan Rashed Al Mutawa Al Dhahiri Bldg.
Plot no 29, Al Ain Road, Umm Al Nar
Tel. +971 2 5102151
Fax +971 2 5102571

DENMARK

Lindholm Havnevej 29, 5800 Nyborg
Tel. +45 31929000
Email: contact@mayekawa.dk

DUBAI

P.O. Box 61349, W-HOUSE
No. RA-08-UC05
Jebel Ali Free Zone Dubai, UAE
Tel. +971 4 8886363
Fax +971 4 8886373

EGYPT

New Cairo, 5th Settlement
North 90th St.
The 47th Building
Tel. +20 22 5062925
Fax +20 22 5032901

FRANCE (representative agent) Siège social

8, rue des Fontenelles
44140 Le Bignon
Tel. +33 1 30 582600
Fax +33 1 30 581937
<http://www.mayekawa.eu/fr>
E-mail: mayekawa.france@mayekawa.eu

South East Branch Office Refrigerant Division

Rue François Coli - Bâtiment H
33290 Blanquefort
Tel. +33 1 30 582600

West Branch Office Food Processing Division

20, Rue Ampère
22590 Pordic
Tel. +33 1 30589795
Fax +33 1 30581937

GERMANY Mayekawa Deutschland GmbH

Zum Buckesch 7a
48336 Sassenberg-Füchtorf
Tel. +49 (0) 5426 2989920

Vertrieb BRD/Österreich

Tel. +49 151 42628055
<http://www.mayekawa.de>
Email: info@mayekawa.de

HUNGARY

Mayekawa Hungary Engineering Kft

Köbányai út 10/A
2049 Diósd,
Tel. +36 23 545712
Fax +36 23 545715
<http://www.mayekawa.eu>
E-mail: hungary@mayekawa.eu

ITALY

Milan Office
Via Riccardo Lombardi 19/12
20153 Milano
Tel. +39 2 48929218
Fax +39 2 4531728

Bologna Office

Via Pradazzo 7 40012
Calerara di Reno
Tel. +39 51 726364
Fax +39 51 726804

MOROCCO

6, Allée des Cyprès
20250 Casablanca
Tel. +212 600 041241

POLAND

ul. Druskiennicka 8/10
60-476 Poznan
Tel. +48 61 8420738
Fax +48 61 8485837

SOUTH AFRICA

West End
Unit 3 Prime Park
Printers Way
Montague Gardens 7441
Tel. +27 21 5511434
Fax +27 86 5463618

SPAIN

Calle Montevideo 5, Nave 13 Pol.
Industrial Camporroso 28806
Alcala de Henares, Madrid Tel.
+34 91 8300392
Fax +34 91 8300397
<http://www.mayekawa.es>
E-mail: mayekawa@mayekawa.es

SWITZERLAND

Rosenbergstrasse 31
6300 Zug
Tel. +41 41 7268626
Fax +41 41 7268620
<http://www.mayekawa.ch>
E-mail: info@mayekawa.ch

TURKEY

Dünya Ticaret Merkezi
A/2 Blok Kat: 10 No. 325
Yeşilköy
Istanbul
Tel. +90 212 46536 31- 34
Fax +90 212 4653635

UKRAINE

Golosiiivska Street 17
Office 110
03039 Kiev
Tel. +38 (044) 251-46-62

UNITED KINGDOM

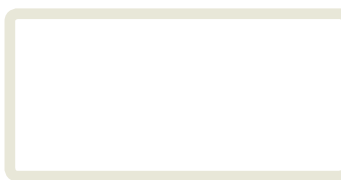
16 Oakhurst Gardens
DA7 5JP Bexleyheath, Kent
Tel. +44 1322 433558
Fax +44 1322 433164

Japan Head Office

3-14-15 Botan Koto-ku
Tokyo 135 8482, JAPAN
Tel. 81 3 3642 8181
Fax 81 3 3643 7094
E-mail e-public@mayekawa.co.jp

MAYEKAWA Europe nv/sa

Leuvensesteenweg 605
1930 Zaventem - Belgium
Tel. +32 2 7579075
Fax +32 2 7579023
<http://www.mayekawa.eu>
E-mail info@mayekawa.eu



Global web site <http://www.mayekawa.com/>